

IMAGING



Andor's iXon^{EM+} DU-897 back illuminated EMCCD has single photon detection capability without an image intensifier, combined with greater than 90% QE of a back-illuminated sensor. Containing a 512x512 Frame Transfer CCD sensor from E2V Technologies, it enables charge to be multiplied on the sensor before it is read out, while utilizing the full QE performance of the CCD sensor.

The absolute EMCCD gain of the camera can be varied linearly from unity up to a thousand times directly through the software, via a true quantitative EM gain scale. Andor are the first to offer this technology as a complete, software controlled system for scientific digital imaging applications.

The system offers up to 10 MHz pixel readout rate, both EMCCD and conventional amplifier outputs and benefits from minimized dark current with unequalled thermoelectric cooling down to -100°C.

- EMCCD Technology
 - ... Ultimate in Sensitivity from EMCCD gain – even single photon signals are amplified above the noise floor.
 - Full QE of CCD chip is harnessed (no intensifier).
- RealGain™
 - ... Absolute EMCCD gain selectable directly from a linear and quantitative scale.
- iCam
 - ... Unique innovation that empowers the EMCCD to operate with market-leading acquisition efficiency through live cell microscopy software
- TE cooling to -100°C
 - ... Critical for elimination of darkcurrent detection limit
- > 90% QE back-illuminated sensor
 - ... > 90% QE back-illuminated sensor
- Variable readout rates up to 10 MHz
 - ... Quantitative accuracy at all speeds.
 - Slower readout rate for enhanced 16-bit dynamic range.
- Selectable amplifier outputs – EMCCD and conventional
 - ... Highly flexible camera optimized for both fast, ultra low-light imaging and 'bright-field' or conventional fluorescence imaging.
- UltraVac™ ♦1
 - ... Critical for sustained vacuum integrity and to maintain unequalled cooling and QE performance, year after year.
- High dynamic range and 16-bit digitization available
 - ... Extended sensor dynamic range (readout speed dependent) and matched digitization for quantization of dim and bright signals.
- Minimal Clock-Induced Charge
 - ... Giving lowest "spurious noise" specification; essential for single photon counting
- Enhanced Baseline Clamp
 - ... Essential for quantitative accuracy of dynamic measurements.
- EMCAL™
 - ... Innovative user-initiated self-recalibration of EM Gain.
- Optional built-in C-mount compatible shutter
 - ... Easy means to record control dark images – excellent for optimization of experimental set-up.

● Camera Overview:

Active Pixels	512 x 512
Pixel Size (W x H; μm)	16 x 16
Image Area (mm)	8.2 x 8.2
Active Area pixel well depth (e-, typical)	160,000 (220,000 max)
Gain Register pixel well depth (e-, typical)	800,000 ♦2
Max Readout Rate (MHz)	10
Frame Rate (frames per sec)	35 - 549
Read Noise (e-)	< 1 to 49 @ 10 MHz



● System Characteristics

Pixel Readout Rate (MHz)	<table border="1"> <tr> <td>Electron Multiplying Amplifier</td> <td>10, 5, 3, 1</td> </tr> <tr> <td>Conventional Amplifier</td> <td>3 and 1</td> </tr> </table>	Electron Multiplying Amplifier	10, 5, 3, 1	Conventional Amplifier	3 and 1
Electron Multiplying Amplifier	10, 5, 3, 1				
Conventional Amplifier	3 and 1				
Digitization	True 14-bit @ 10, 5, 3 & 1 MHz readout rate (16-bit available @ 1 MHz)				
Vertical Clock Speed (μ s)	0.3 to 3.3 (variable)				
Linear Absolute Electron Multiplier Gain	1 - 1000 times (software controlled)				
Linearity (% maximum) \star^3	1				
Triggering	Internal, External, External Start				
Camera window type	Single window with double-sided AR coating - standard for BV model				

● Dark Current & Background Events

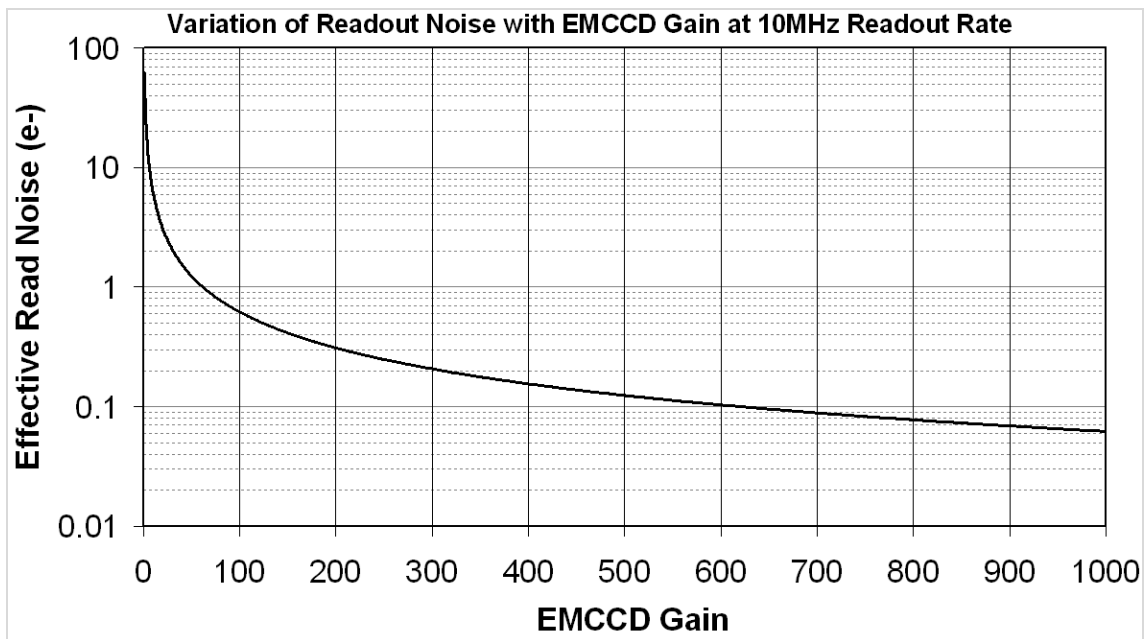
Dark Current \star^4 @ -85°C (e-/pix/sec)	0.001
EMCCD-Amplified Background Events \star^5 (events/pix) (@ 1000 x gain and -85°C)	0.005

● Noise

System Readout Noise (e) \star^6

	Typical	with Electron Multiplication
10 MHz through EMCCD amplifier	49	<1
5 MHz through EMCCD amplifier	42	<1
3MHz through EMCCD amplifier	32	<1
1 MHz (16-bit) through EMCCD amplifier	21	<1
1 MHz (16-bit) through Conventional amplifier	6	N/A

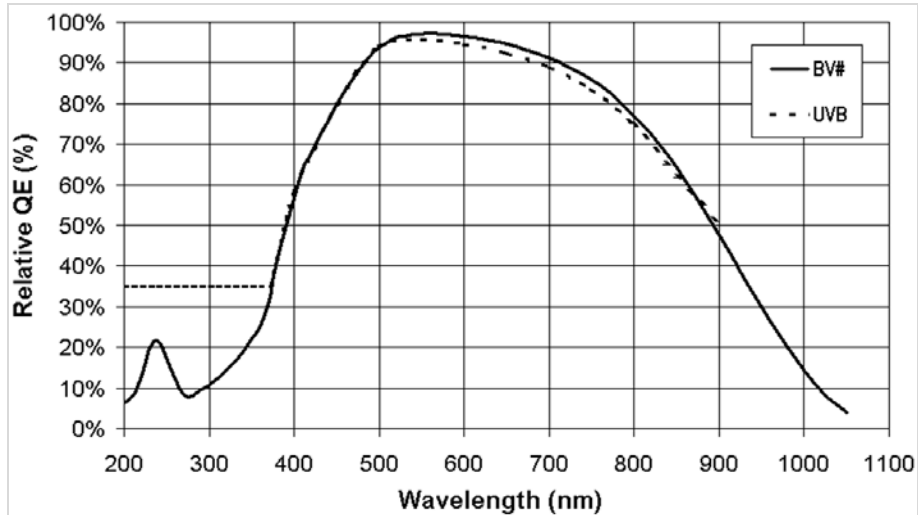
● Noise & EMCCD Gain



1 MHz (16-bit) through EMCCD amplifier

● Quantum Efficiency

Peak Quantum Efficiency at -20°C (%) ^{†7}		
CCD Type	Minimum	Typical
BV @ 575 nm	82	92.5
UVB @ 575 nm	82	82.5



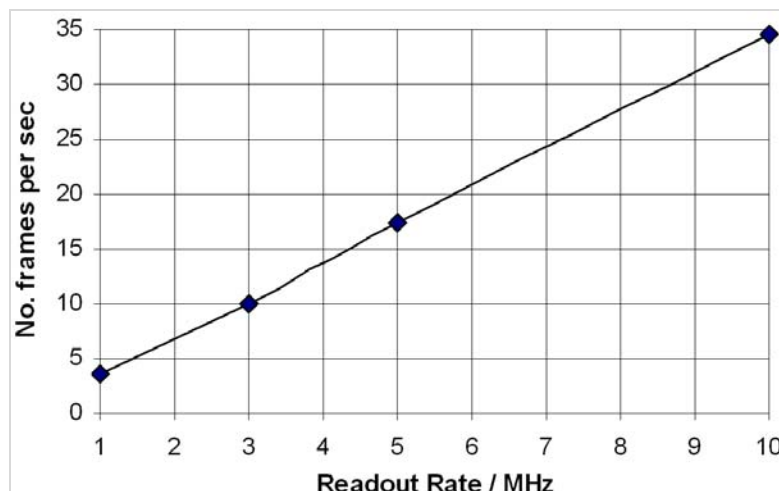
● Cooling Temperatures

- Air cooled -85°C (ambient air @ 20°C)
- Water cooled using Re-circulator -90°C (ambient air @ 20°C)
- Water cooled using Chiller -100°C (water @ 10°C, 0.75 l / min)

● Max Frames per second^{†8}

Binning	Array size			
	512 x 512 (FULL FRAME)	256 x 256	128 x 128	512 H x 100 V
1x1	35	68	132	168
1x2	68	132	248	313
2x2	68	132	248	313
1x4	131	246	439	549
4x4	131	246	439	549

● Full Frame Rate^{†9}



● Power Requirements ♦¹⁰

0.6A @ +12V
0.3A @ -12V
3.0A @ +5V

● Operating & Storage Conditions

Operating Temperature	0°C to 30°C ambient
Relative Humidity	< 70% (non-condensing)
Storage Temperature	-25°C to 55°C

● Computer Requirements

To handle data transfer rates of 10 MHz readout over extended kinetic series, a powerful computer is recommended, e.g:

- 3 GHz Pentium (or better)
- 1GB RAM
- 10,000 rpm SATA hard drive preferred for extended kinetic series

Also:

- PCI-compatible computer. PCI slot must have bus master capability.
 - Available auxiliary internal power connector
 - 32 MBytes free hard disc space
-

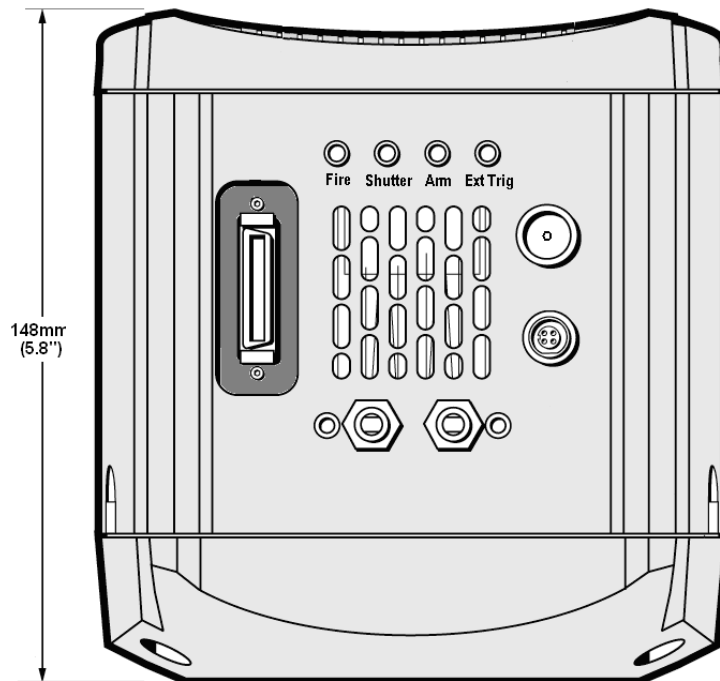
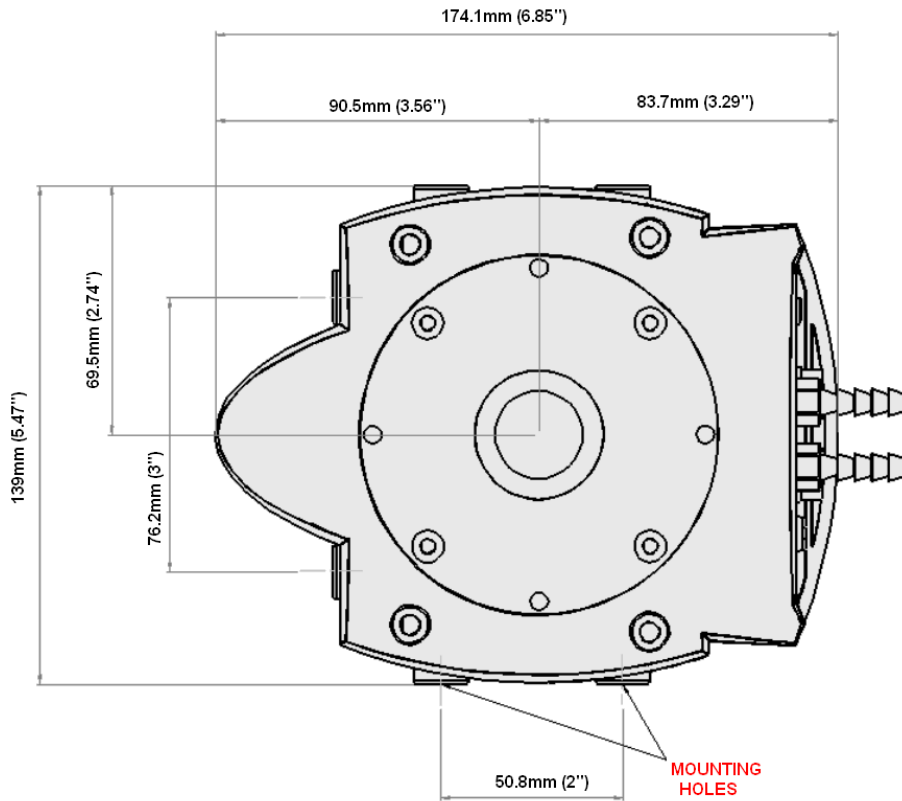
● Blemish Specification

As defined by the sensor manufacturer e2v. Can be accessed in the CCD97 back-illuminated sensor datasheet, downloadable from this web page:

<http://www.e2v.com/module/page-357/l3-vision-datasheets-and-technical-notes.cfm>

● Dimensions

● Weight: 2.7 Kg [6 lb]

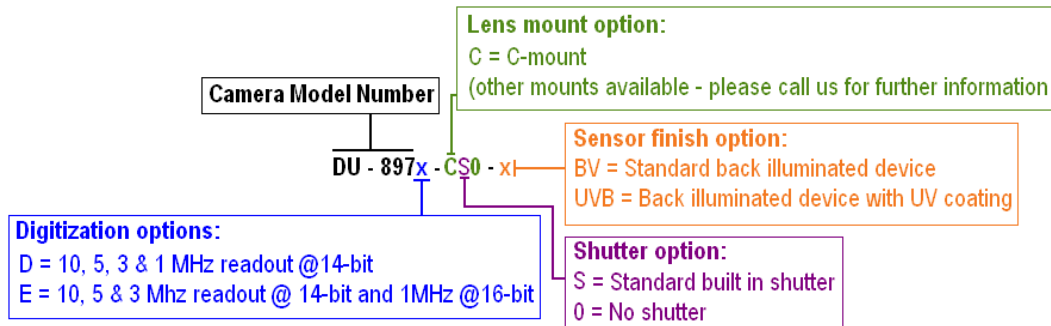


Notes:

1. The clearance from the C-mount face plate to the shutter is 6mm. Please ensure that when fitting a lens, to a system with a built in shutter, that it does not extend into the housing by more than 5mm.
2. There are mounting holes (1/4-20UNC) located on three sides of the camera. They are positioned centrally at a distance of 40mm from the front of the front face.

● **Ordering Information**

To order the camera you require, please use the following ordering system:



e.g. DU-897D-CS0-UVB is a back illuminated iXon^{EM}+ DU-897 camera with 14-bit digitization at 10, 5, 3 and 1MHz readout speeds, EMCCD & Conventional output amplifiers, standard shutter and UV-enhanced coating.

- The iXon^{EM} + DU-897 requires the following controller card:

CCI-23 PCI controller card

The iXon^{EM} + DU-897 also requires one of the following software options:

- Andor Solis (i)** A ready-to-run Windows 2000 or XP-based package with rich functionality for data acquisition and processing.
- Andor SDK** A DLL driver and software development kit that let you create your own applications for the Andor Camera. Available for Windows 2000 or XP and Linux.
- Andor iQ** A comprehensive multi-dimensional imaging software package. Offers tight synchronization of EMCCD with a comprehensive range of microscopy hardware, along with comprehensive rendering and analysis functionality. Modular architecture for best price/performance package on

Third party software compatibility Drivers are available so that the iXon^{EM} + range can be operated through a large variety of third party imaging packages

- The iXon^{EM} + DU-897 may be used with the following accessories:

XW-RECR Re-circulator for enhanced cooling performance

XW-CHIL-150 Ultra compact chiller unit for ultimate cooling performance

REMOTE CTRL KIT Programmable remote control for controlling functions from anywhere around the optical set-up

Please contact Andor for any of your custom requirements. Contact details can be found on the next page.

SPECIFICATIONS ARE SUBJECT TO CHANGE WITHOUT NOTICE.

● **Notes**

- ◆1 Assembled in a state-of-the-art Class 10,000 cleanroom facility, Andor's UltraVac™ vacuum process combines a permanent hermetic vacuum seal (no o-rings), with a stringent protocol to minimize outgassing, including use of proprietary materials. Outgassing is the release of trapped gases that would otherwise prove highly problematic for high-vacuum systems.
- ◆2 The EM register on CCD97 sensors has a linear response up to 400,000 electrons max. and a full well depth of ~ 800,000 electrons max.
- ◆3 Linearity is measured from a plot of Counts vs. Signal up to the saturation point of the system. Linearity is expressed as a percentage deviation from a straight line fit.
- ◆4 This value is obtained using the traditional method of measuring dark current, as for any CCD camera, i.e. taking a long integration time (with no EM gain applied) to get a darksignal that is well above the read noise. The dark current measurement is averaged over the CCD area excluding any regions of blemishes.
- ◆5 Using Electron Multiplication (EM) the iXon EM+ is capable of detecting single photons, therefore the true camera detection limit is set by the number of 'dark' background events. These background events consist of both residual thermally generated electrons and Clock Induced Charge (CIC) electrons (also referred to as Spurious Charge), each appearing as random single spikes that are well above the read noise floor.
A thresholding scheme is employed to count these single electron events and is quoted as a probability of an event per pixel. Acquisition conditions are full resolution and max frame rate (10 MHz readout; frame-transfer mode; 0.5 μs vertical clock speed; x 1000 EM gain; 30 ms exposure; -85°C). It is important to realise that to get to this single photon detection regime there must be sufficient cooling, such that there is significantly less than 1 event per pixel.
- ◆6 System Readout noise is for the entire system. It is a combination of CCD readout noise and A/D noise. Measurement is for Single Pixel readout with the CCD at a temperature of -85°C and minimum exposure time under dark conditions. Under Electron Multiplying conditions, the effective system readout noise is reduced to sub 1e- levels. Noise values will change with pre-amplifier gain (PAG) selection. Values quoted are measured with highest available PAG setting.
- ◆7 Quantum efficiency of the CCD sensor as measured by the CCD Manufacturer @ -20°C. Can be accessed in the CCD97 back-illuminated sensor datasheet, downloadable from this web page:
<http://www.e2v.com/module/page-357/13-vision-datasheets-and-technical-notes.cfm>
- ◆8 The max frames / second for iXon EM+ imaging CCDs is the maximum speed at which the device can acquire images in a standard system. Shown are the frame rates at 10MHz digitization rates for a range of binning or array size combinations. All measurements are made with 0.3μs vertical clock speed. It also assumes internal trigger mode of operation.
- ◆9 The graph shows the full frame rates possible when reading out the sensor at 10, 5, 3 and 1 MHz pixel readout rates, and using 0.3 μs vertical clock speed.
- ◆10 These power requirements are the maximum load that will be drawn from the computer for the camera head and controller card combined.

Need more information? Please contact us at:

International Office	US Office	Japanese Office	Chinese Office
Phone +44 28 9023 7126	Phone 800.296.1579	Phone +81 3 3511 0659	Phone +86-10-5129-4977
Fax +44 28 9031 0792	Fax 860.290.9566	Fax +81 3 3239 8264	Fax +86-10-6445-5401